

# NDP-25 Specifications

## Port Dimensions (46.2 GPM Max.)

Intake & discharge connection:

Polypropylene (PPG)	1" Female NPT
Kynar® (PVDF)	1" Female NPT
Aluminum (ADC-12)	1" Female NPT
Stainless Steel (316)	1" Female NPT
Cast Iron	1" Female NPT
Air inlet (incl. ball valve):	3/8" Female NPT
Air exhaust (incl. silencer):	3/4" Female NPT

**ANSI Flange** also available — consult Yamada.

## Maximum Liquid Temperature\*

Diaphragm Material	Temperature
Buna N	180°F (82°C)
Neoprene	180°F (82°C)
Santoprene® (TPO)	180°F (82°C)
EPDM	212°F (100°C)
PTFE	212°F (100°C)
Hytrel® (TPEE)	248°F (120°C)
Viton® fluoroelastomer	248°F (120°C)

\*The maximum liquid temperature for metal and Kynar®-fitted pumps is determined by the elastomer (diaphragm material). Polypropylene pumps have a maximum liquid temperature of 180°F (82°C) regardless of diaphragm material.

## Air Supply Pressure (All Models)

20–100 PSI (1.4–7 kfg/cm)

## Discharge Volume Per Cycle

Rubber diaphragm: 0.22 gallons (833 cc)

PTFE diaphragm: 0.21 gallons (787 cc)

## Maximum Cycles Per Minute

Rubber diaphragm: 210

PTFE diaphragm: 210

## Maximum Size Solid

3/16" (4.8 mm)

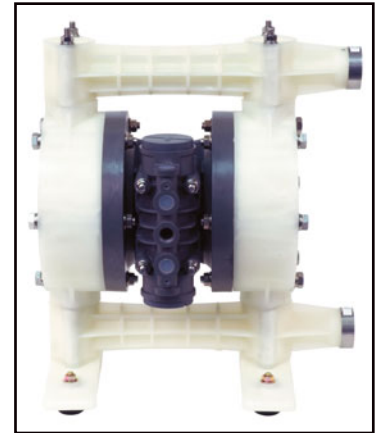
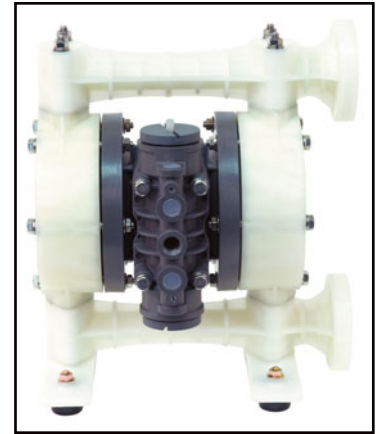
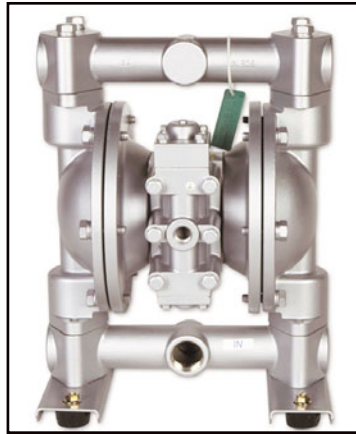
## Maximum Dry Suction Lift

Rubber-fitted pump capability: 18-feet

**Air Motors:** Aluminum air motors are standard on metal pumps; glass-filled polypropylene air motors are standard on plastic and Kynar® pumps.

**Optional:** Split manifold—contact Yamada

Notes: Santoprene® fitted pumps include EPDM wetted o-rings. Kynar® (PVDF) pumps fitted with Santoprene®, Hytrel®, or PTFE include PTFE check balls & o-rings. Kynar®/EPDM fitted pumps include EPDM check balls & o-rings. Viton® fitted pumps include Viton® balls & o-rings.



### Aluminum

**Dimensions:** 11.30" W × 15.08" H

**Net Wt.:** 27 lbs. (13.0 kg)

**Shipping Wt.:** 31 lbs.

### Kynar® (PVDF)

**ANSI Flange Dimensions:**

14.40" W × 17.40" H

**NPT Dimensions:**

14.40" W × 16.90" H

**Net Wt.:** 29.7 lbs. (13.4 kg)

**Shipping Wt.:** 33 lbs.

### Polypropylene

**ANSI Flange Dimensions:**

14.40" W × 17.40" H

**NPT Dimensions:**

14.40" W × 16.90" H

**Net Wt.:** 29 lbs. (10.9 kg)

**Shipping Wt.:** 30 lbs.

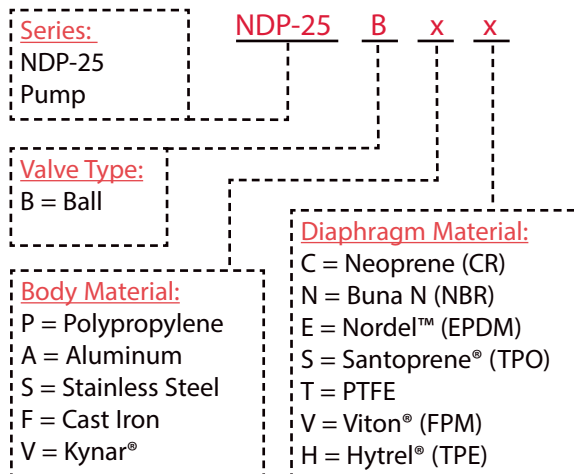
### Cast Iron or S.S.

**Dimensions:** 11.30" W × 15.08" H

**Net Wt.:** 43 lbs. (19.9 kg)

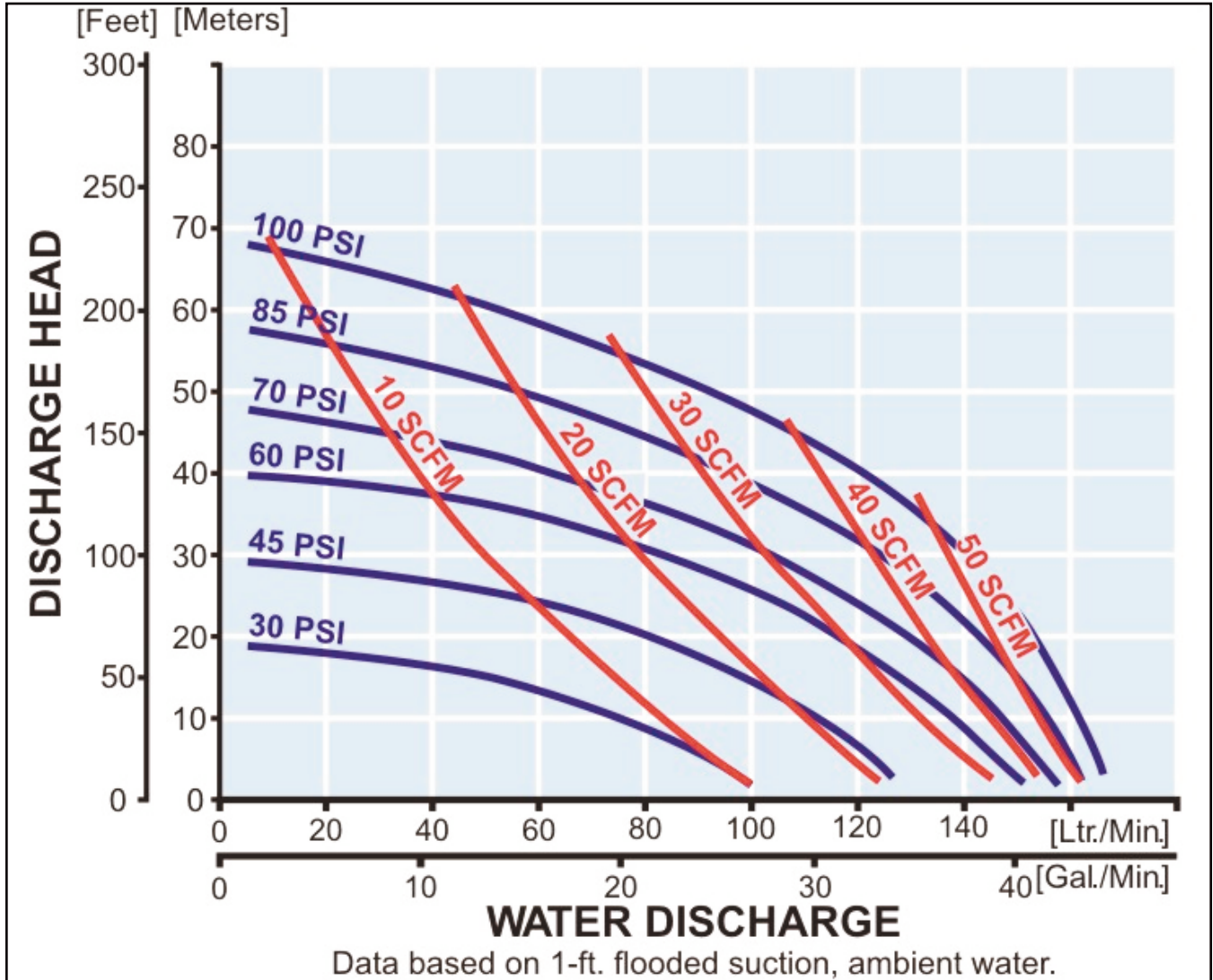
**Ship Wt.:** 46 lbs.

## Model Number Nomenclature



# NDP-25 Performance Curve – Rubber

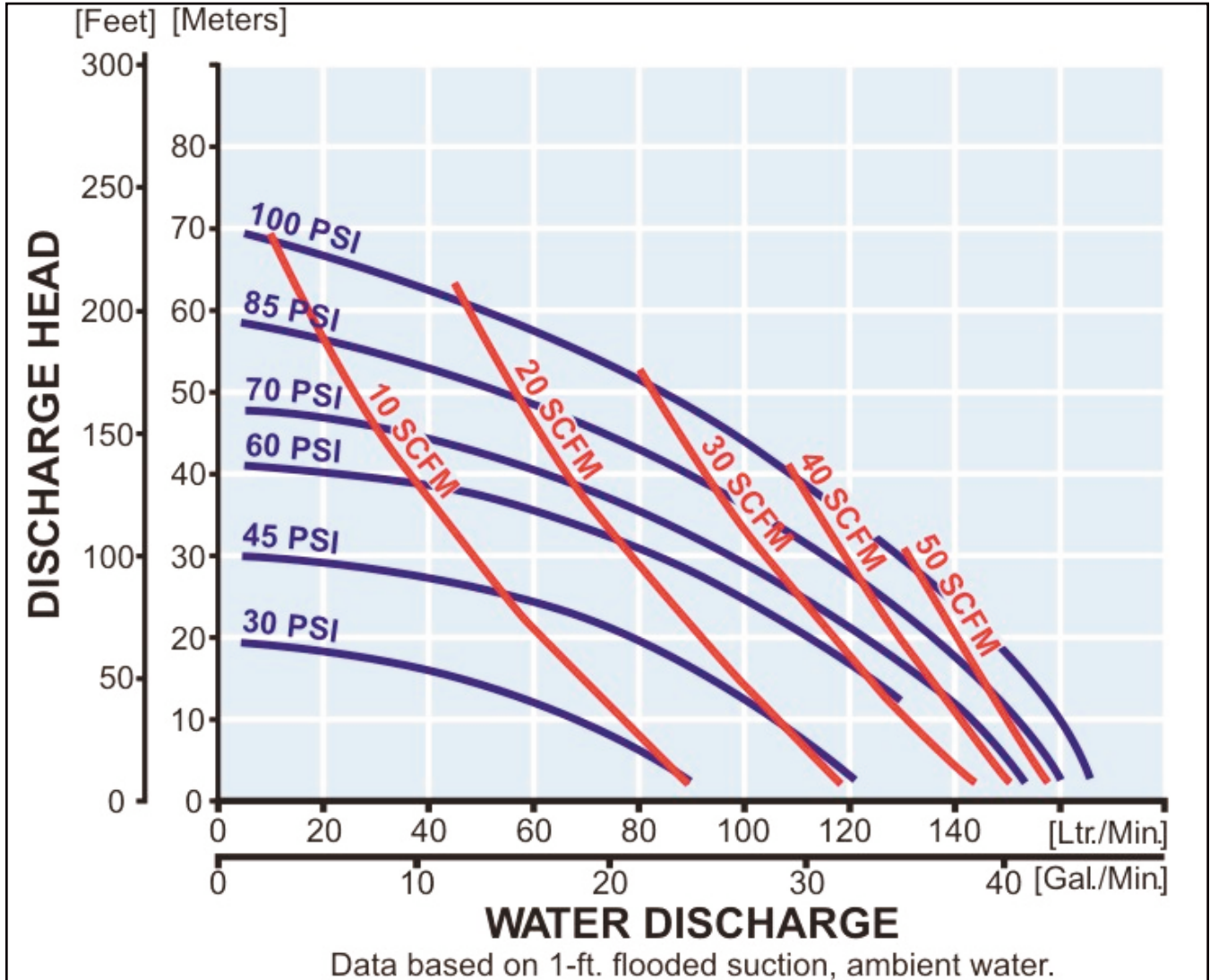
## Rubber Diaphragm Performance Curve



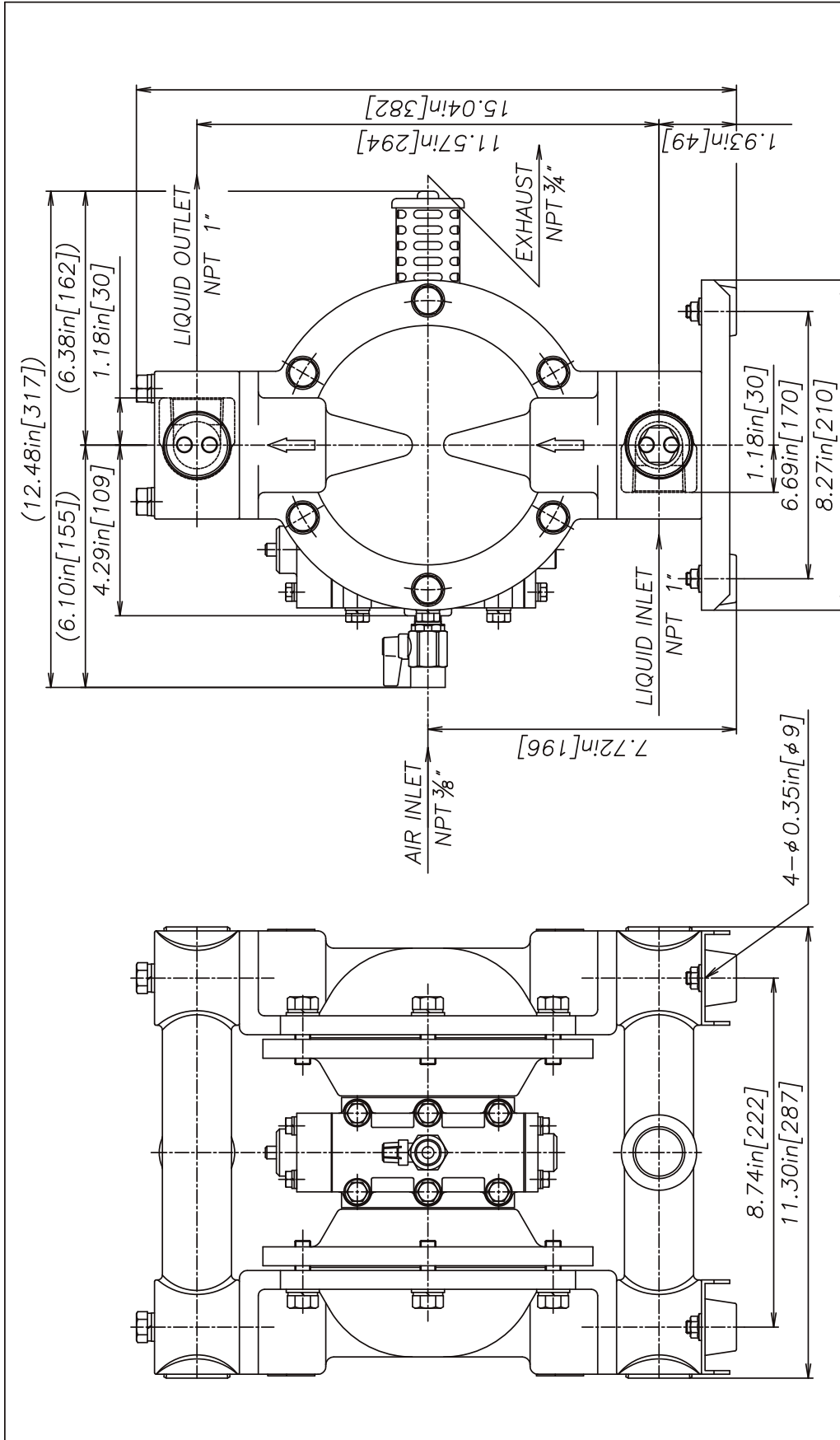
To calculate performance for Santoprene® and Hytrel®-fitted pumps, use Rubber Diaphragm Curve.

# NDP-25 Performance Curve – PTFE

## PTFE Diaphragm Performance Curve



To calculate performance for Santoprene® and Hytrel®-fitted pumps, use Rubber Diaphragm Curve.



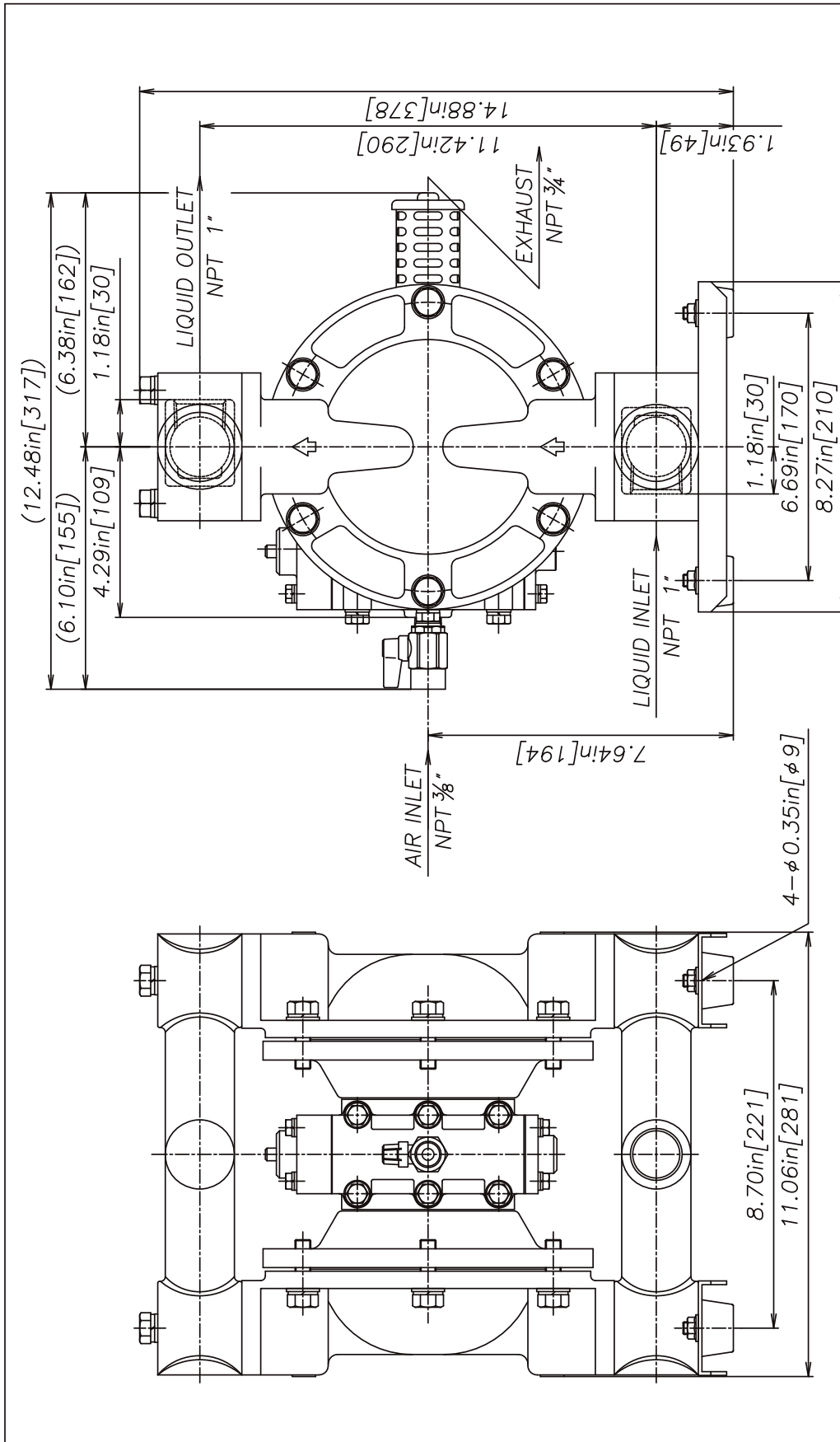
REV	DATE	DESCRIPTION	APPR'D

THE DWG. OF: **DIAPHRAGM PUMP ASSEMBLY**

SCALE: 1 : 1      DRAWN BY: YJI  
DATE: 02/02/06      APPROVED BY: S.K.

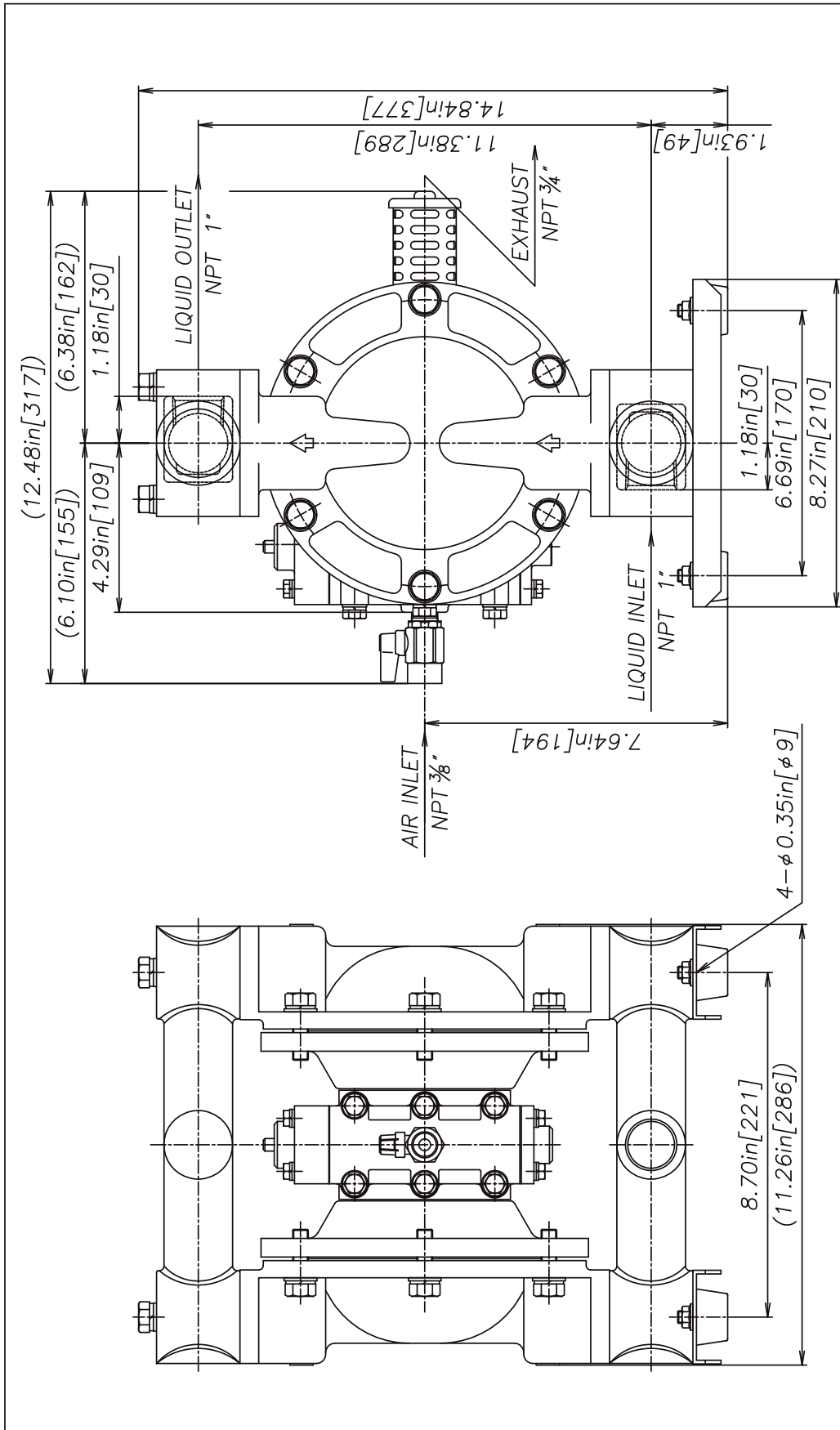
THIRD ANG. PROJ.      DRAWING NUMBER: **NDP-25BA**      REV: **0**

**YAMADA AMERICA, INC.**  
1200 NUCLEAR DRIVE - WEST CHICAGO, ILLINOIS 60185  
TOLL FREE 800-990-7867 OR 630-231-4083  
THIS IS A CAD DRAWING AND MUST NOT BE ALTERED MANUALLY.



REV	DATE	DESCRIPTION	APPR'D
THE DWG. OF:			
<b>DIAPHRAGM PUMP ASSEMBLY</b>			
SCALE 1 : 1		DRAWN BY YJI	
DATE 02/02/06		APPROVED BY S.K.	
THIRD ANG. PROJ.	DRAWING NUMBER: NDP-25BS		REV 0

**YAMADA AMERICA, INC.**  
 1200 NUCLEAR DRIVE - WEST CHICAGO, ILLINOIS 60185  
 TOLL FREE 800-990-7867 OR 630-231-4083  
 THIS IS A CAD DRAWING AND MUST NOT BE ALTERED MANUALLY.



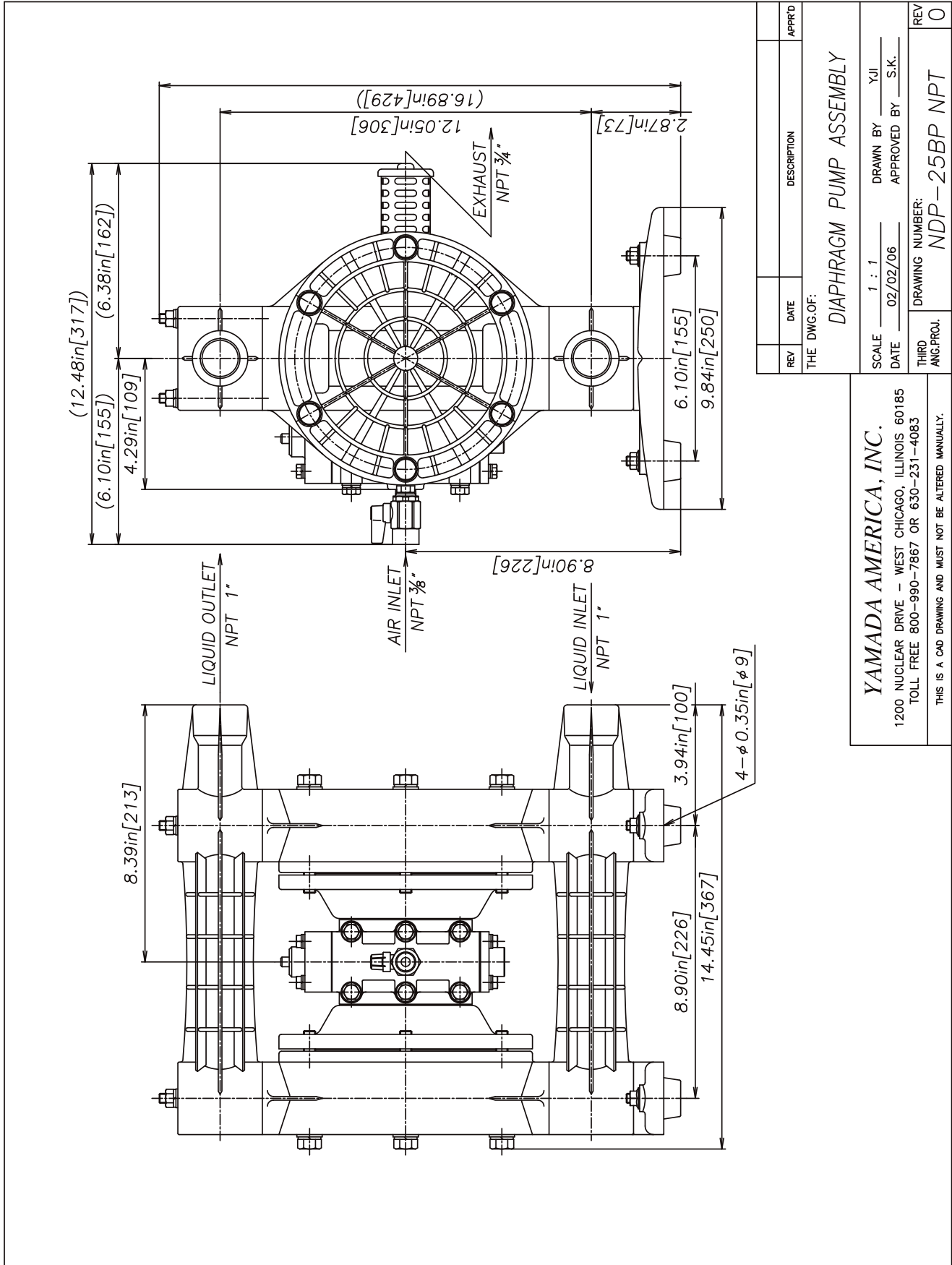
REV	DATE	DESCRIPTION	APPR'D

THE DWG. OF: **DIAPHRAGM PUMP ASSEMBLY**

SCALE: 1 : 1      DRAWN BY: YJI  
DATE: 02/02/06      APPROVED BY: S.K.

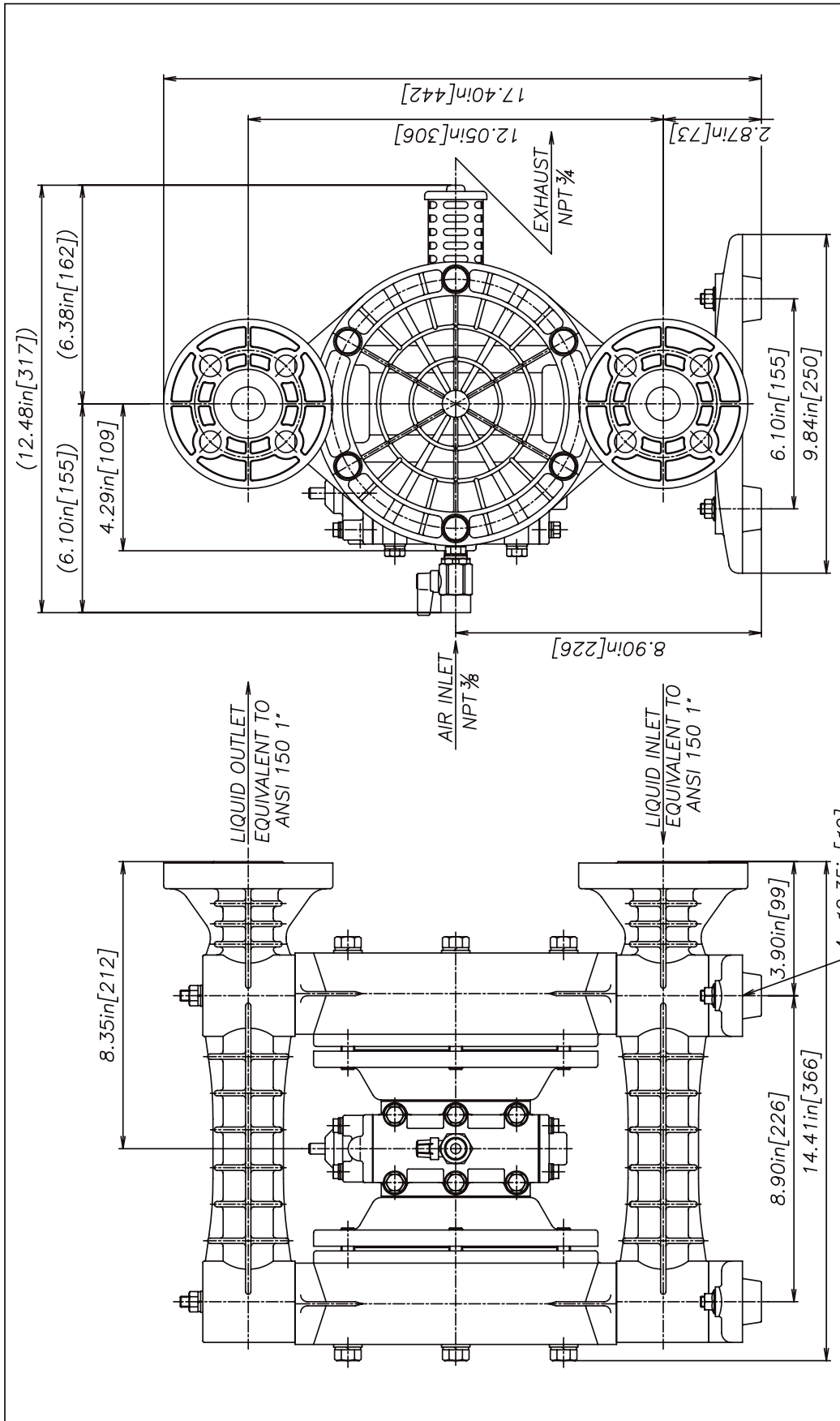
THIRD ANGLE PROJ.      DRAWING NUMBER: **NDP-25BF**      REV: **0**

**YAMADA AMERICA, INC.**  
1200 NUCLEAR DRIVE - WEST CHICAGO, ILLINOIS 60185  
TOLL FREE 800-990-7867 OR 630-231-4083  
THIS IS A CAD DRAWING AND MUST NOT BE ALTERED MANUALLY.



REV	DATE	DESCRIPTION	APPR'D
THE DWG.OF: <b>DIAPHRAGM PUMP ASSEMBLY</b>			
SCALE	1 : 1	DRAWN BY	YJI
DATE	02/02/06	APPROVED BY	S.K.
THIRD ANG.PROJ.		DRAWING NUMBER:	<b>NDP-25BP NPT</b>
REV			<b>0</b>

**YAMADA AMERICA, INC.**  
 1200 NUCLEAR DRIVE - WEST CHICAGO, ILLINOIS 60185  
 TOLL FREE 800-990-7867 OR 630-231-4083  
 THIS IS A CAD DRAWING AND MUST NOT BE ALTERED MANUALLY.



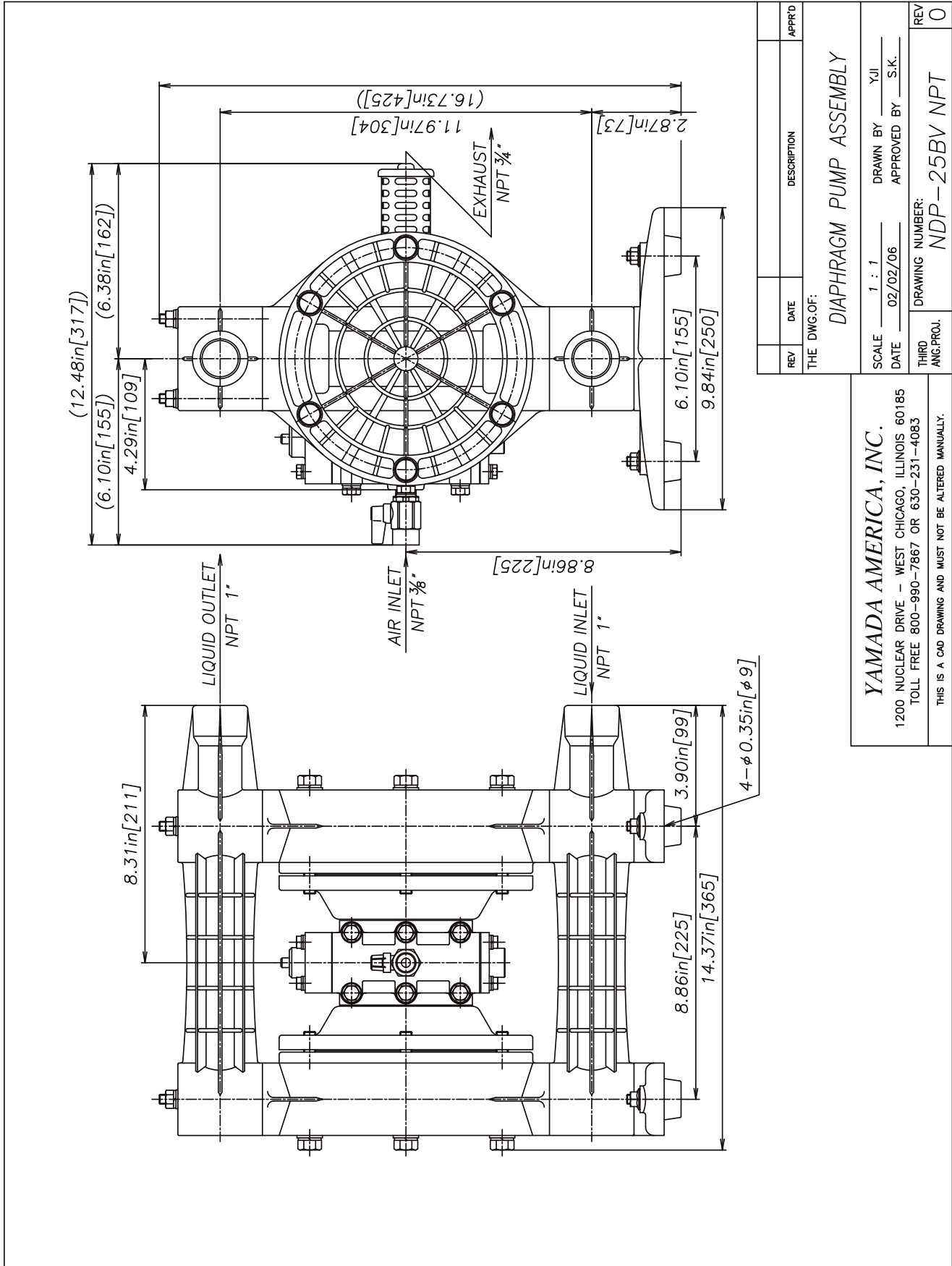
REV	DATE	DESCRIPTION	APPR'D

THE DWG. OF: **DIAPHRAGM PUMP ASSEMBLY**

SCALE	1 : 1	DRAWN BY	YJI
DATE	02/02/06	APPROVED BY	S.K.
THIRD ANGLE PROJ.	DRAWING NUMBER: <b>NDP-25BP FLANGE</b>		
REV	0		

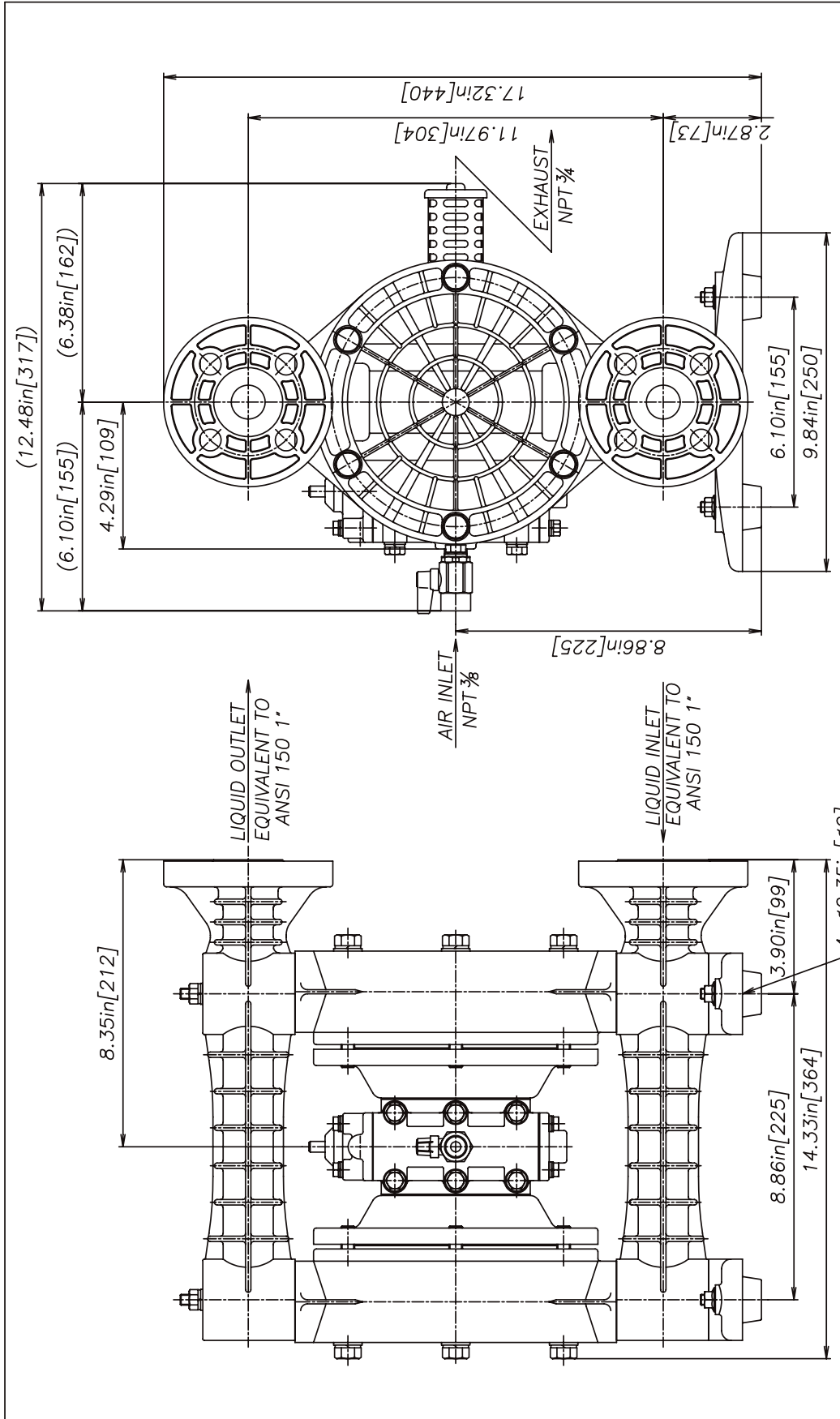
**YAMADA AMERICA, INC.**  
 1200 NUCLEAR DRIVE - WEST CHICAGO, ILLINOIS 60185  
 TOLL FREE 800-990-7867 OR 630-231-4083  
 THIS IS A CAD DRAWING AND MUST NOT BE ALTERED MANUALLY.





REV	DATE	DESCRIPTION	APPR'D
THE DWG. OF:			
<b>DIAPHRAGM PUMP ASSEMBLY</b>			
SCALE	1 : 1	DRAWN BY	YJI
DATE	02/02/06	APPROVED BY	S.K.
THIRD ANG. PROJ.		DRAWING NUMBER:	NDP-25BV NPT
REV			0

**YAMADA AMERICA, INC.**  
 1200 NUCLEAR DRIVE - WEST CHICAGO, ILLINOIS 60185  
 TOLL FREE 800-990-7867 OR 630-231-4083  
 THIS IS A CAD DRAWING AND MUST NOT BE ALTERED MANUALLY.



REV	DATE	DESCRIPTION	APPR'D
THE DWG. OF:			
<b>DIAPHRAGM PUMP ASSEMBLY</b>			
SCALE	1 : 1	DRAWN BY	YJI
DATE	02/02/06	APPROVED BY	S.K.
THIRD ANGLE PROJ.	DRAWING NUMBER:		REV
	NDP-25BV FLANGE		0

**YAMADA AMERICA, INC.**  
 1200 NUCLEAR DRIVE - WEST CHICAGO, ILLINOIS 60185  
 TOLL FREE 800-990-7867 OR 630-231-4083  
 THIS IS A CAD DRAWING AND MUST NOT BE ALTERED MANUALLY.

AutoCAD® is a registered trademark of Autodesk, Inc.

Hytrel® is a registered trademark of E.I. du Pont de Nemours and Company.

Kynar® is a registered trademark of Arkema.

Nordel™ is a trademark of DuPont Dow Elastomers.

Ryton® is a registered trademark of Chevron Phillips Chemical Company.

Santoprene® is a registered trademark of Advanced Elastomer Systems.

Swagelok® & VCR® are trademarks of the Swagelok Companies.

Viton® is a registered trademark of DuPont Performance Elastomers.

Due to Yamada's continued commitment to product improvement, specifications may change without notice.