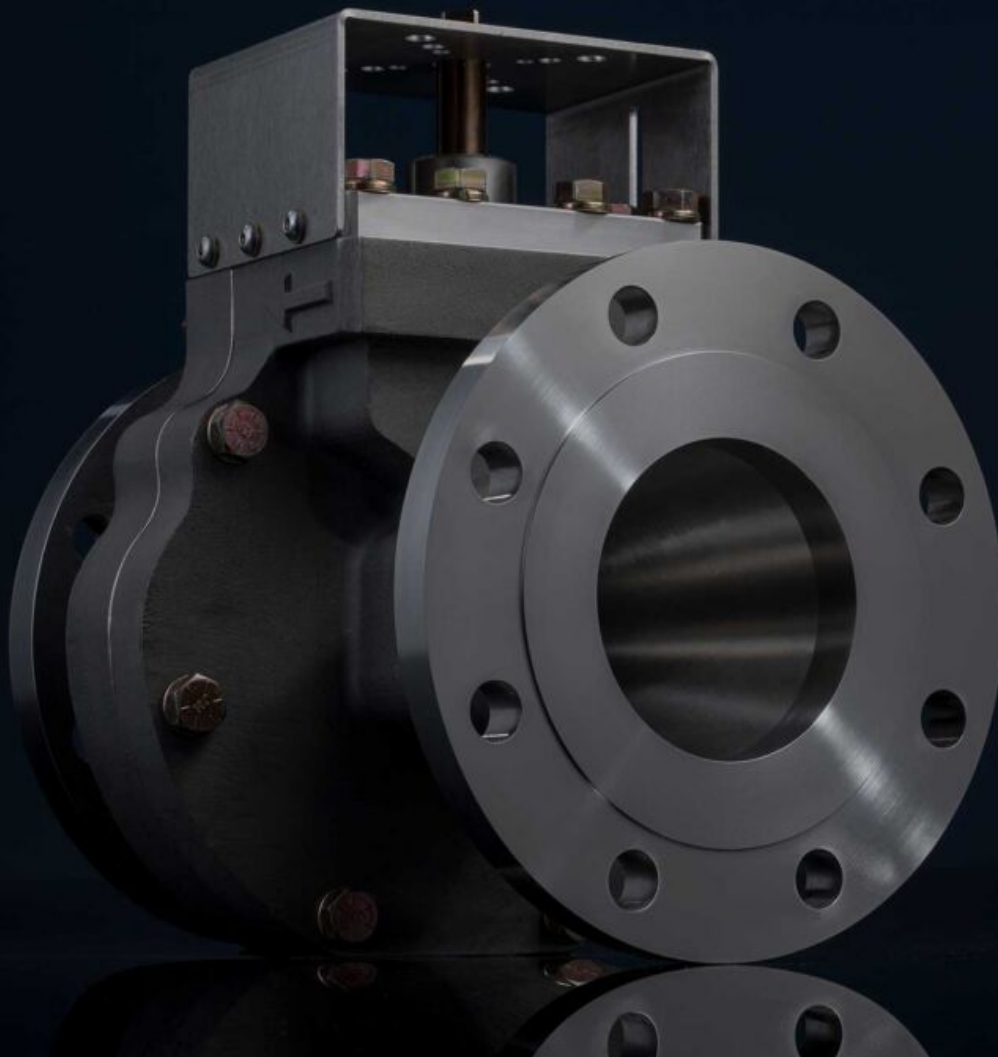


# DILATING DISK™ VALVE SPECIFICATION SHEETS

CV2 | CV20 | CV71 | CV308 | CV1345



**J A MOODY**

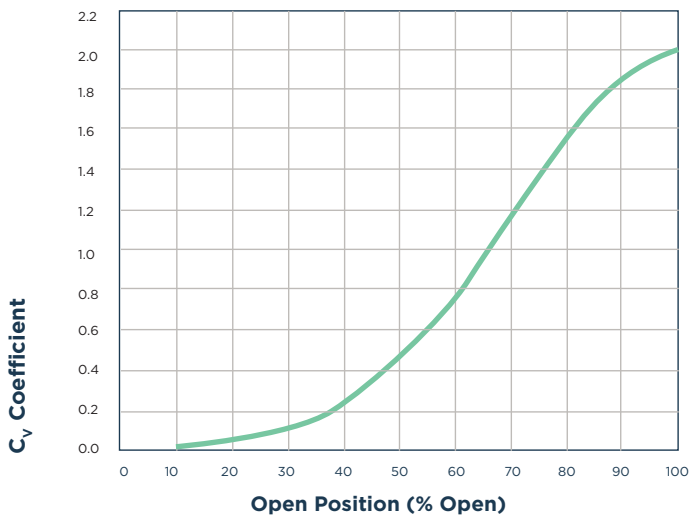
MARINE SALES & SERVICE

# CV2 DILATING DISK™ VALVE

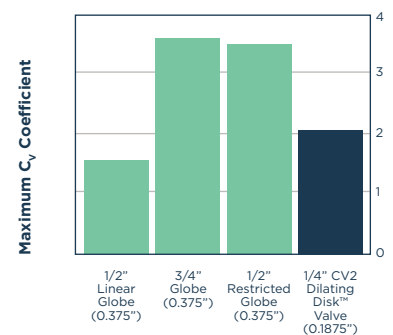
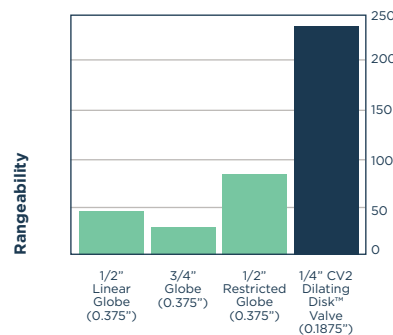
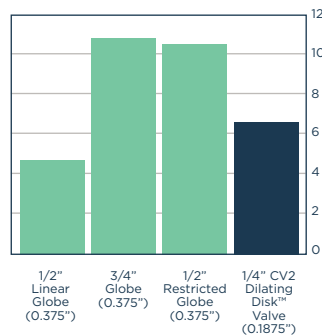
## Flow Characteristics

% OPEN	$C_v$	$K_v$	$F_L$	$X_T$
10	0.00858	0.0074	0.99	0.63
20	0.0466	0.040	0.96	0.53
30	0.116	0.100	0.90	0.44
40	0.236	0.204	0.87	0.40
50	0.453	0.392	0.84	0.40
60	0.766	0.663	0.75	0.44
70	1.20	1.038	0.60	0.50
80	1.55	1.341	0.48	0.48
90	1.85	1.600	0.41	0.40
100	2.00	1.730	0.37	0.33

## What results does the Dilating Disk™ Valve deliver?

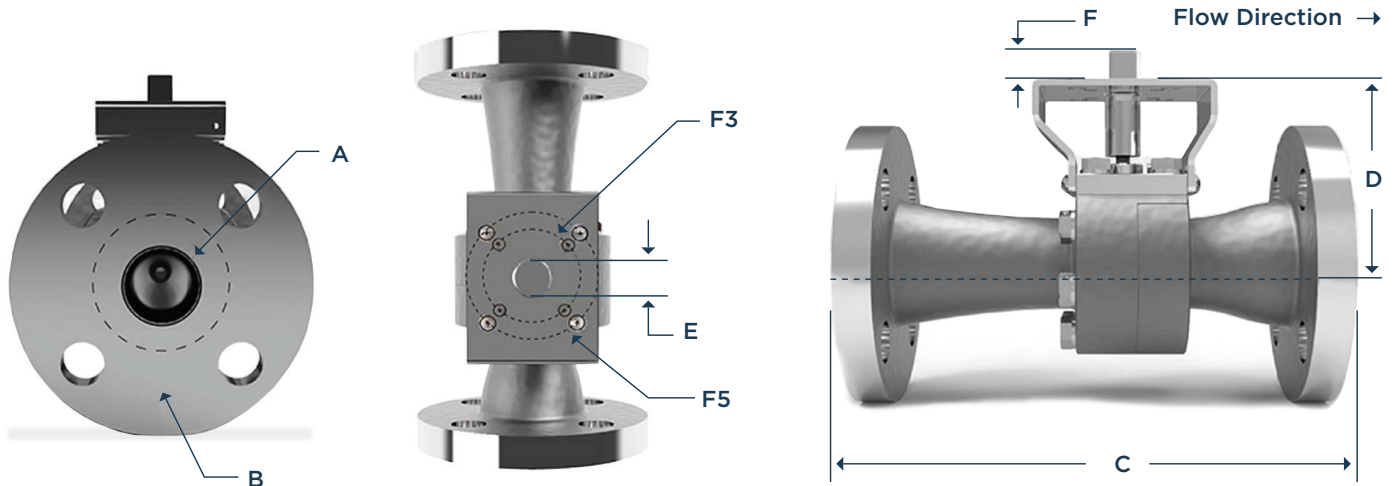


## Market Comparison How does the Dilating Disk™ Valve compare?



# CV2 DILATING DISK™

VALVE PRESSURE CLASS  
150 - 1500

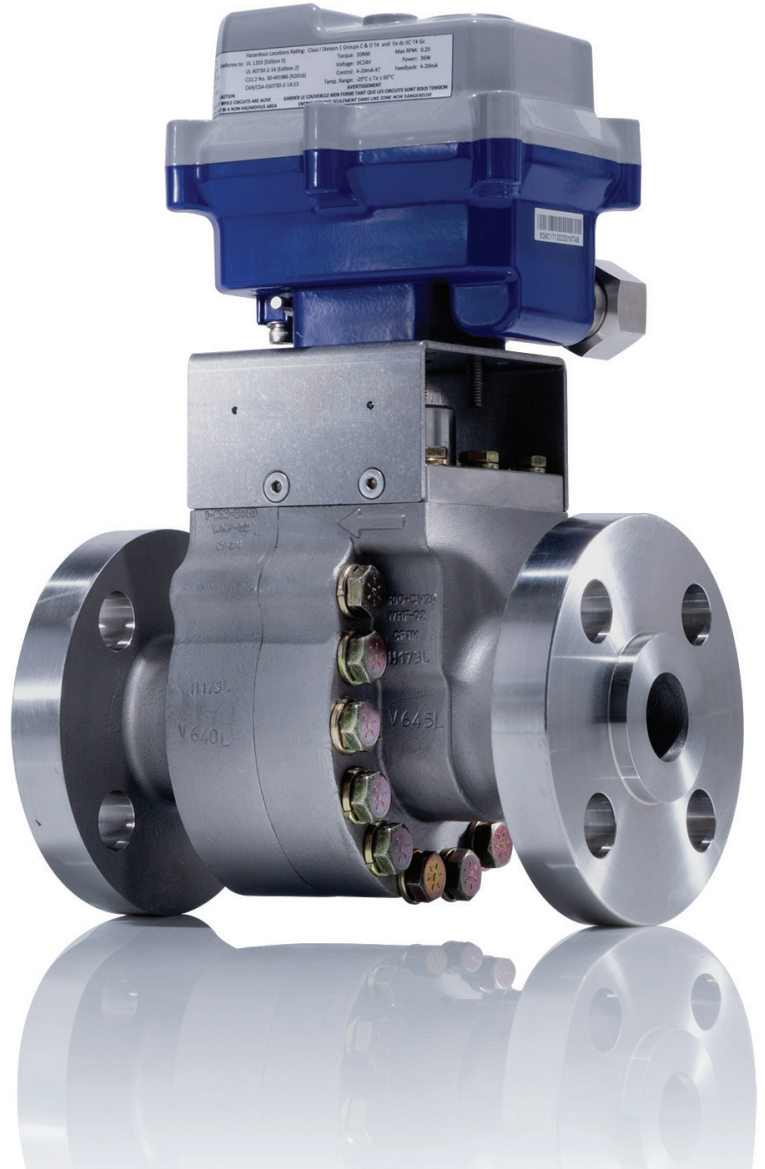


A		B	C	D	E	F	G	H	I
ASME B16.5		PRESSURE CLASS	ISA 75.08		DRIVE SQUARE WIDTH	DRIVE SQUARE HEIGHT	ISO 5211 YOKE PATTERN	WEIGHT [LBS]	MAST [IN-LBS]
[NPS]			[IN]	[IN]	[IN]	[IN]	[IN]		
NPT ONLY	0.25"	CL600	3.15	2.73	0.433	0.684	F3 - 1.417 F5 - 1.970	5	67
	0.5"	CL1500	3.15						
1"		CL150	7.25	2.73	0.433	0.684	F3 - 1.417 F5 - 1.970	9	67
		CL300	7.75					12	
		CL600	8.25					13	
		CL1500	11.5					25	

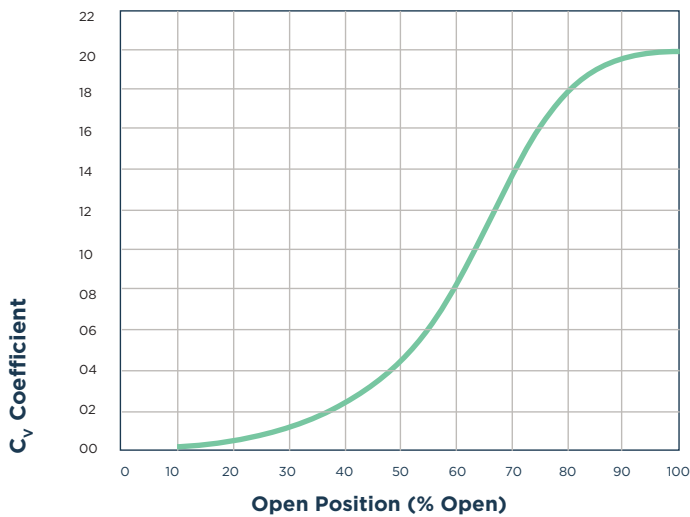
# CV20 DILATING DISK™ VALVE

## Flow Characteristics

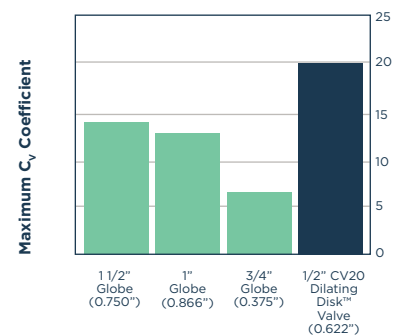
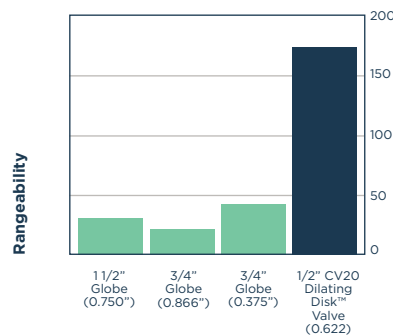
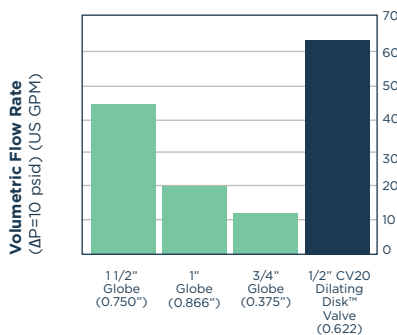
% OPEN	$C_v$	$K_v$	$F_L$	$X_T$
10	0.113	0.098	0.99	0.53
20	0.352	0.305	0.96	0.55
30	0.987	0.854	0.90	0.49
40	1.86	1.61	0.87	0.43
50	3.89	3.37	0.84	0.39
60	7.76	6.91	0.75	0.36
70	12.8	11.1	0.60	0.33
80	17.3	14.9	0.48	0.31
90	19.5	16.8	0.41	0.27
100	20.0	17.3	0.37	0.22



## What results does the Dilating Disk™ Valve deliver?

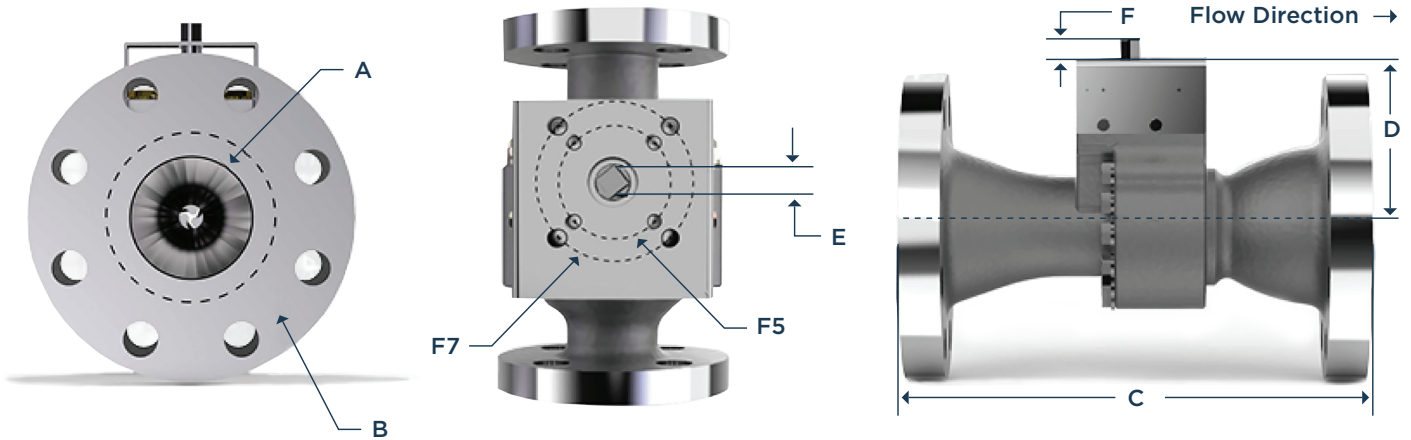


## Market Comparison How does the Dilating Disk™ Valve compare?



# CV20 DILATING DISK™

VALVE PRESSURE CLASS  
150 - 1500



A	B	C	D	E	F	G	H	I
ASME B16.5	PRESSURE CLASS	ISA 75.08		DRIVE SQUARE WIDTH	DRIVE SQUARE HEIGHT	ISO 5211 YOKE PATTERN	WEIGHT [LBS]	MAST [IN-LBS]
[NPS]		[IN]	[IN]	[IN]	[IN]	[IN]		
0.75"	CL150	7.25	4.515	0.433	0.535	F5 - 1.970 F7 - 2.760	20	1656
	CL300	7.62					22	
	CL600	8.12					23	
	CL900	10.75					45	
	CL1500						45	
1"	CL150	7.25					21	
	CL300	7.75					24	
	CL600	8.25					25	
	CL900	10.75					50	
	CL1500						50	
1.5"	CL150	8.75					26	
	CL300	9.25					31	
	CL600	9.88					33	
	CL900	12.25					84	
	CL1500						84	
2"	CL150	10	32					
	CL300	10.5	36					
	CL600	11.25	39					
	CL900	14.75	84					
	CL1500		84					
3"	CL150	11.75	45					
	CL300	12.5	53					
	CL600	13.25	59					
	CL900	17.38	105					
	CL1500	18.12	129					

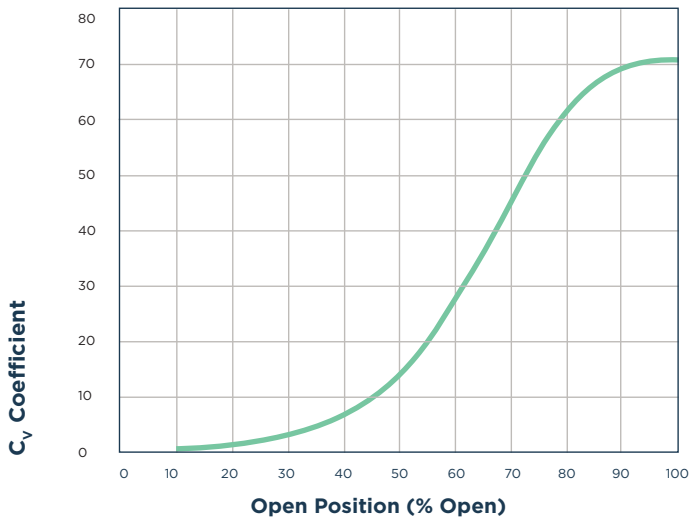
# CV71 DILATING DISK™ VALVE

## Flow Characteristics

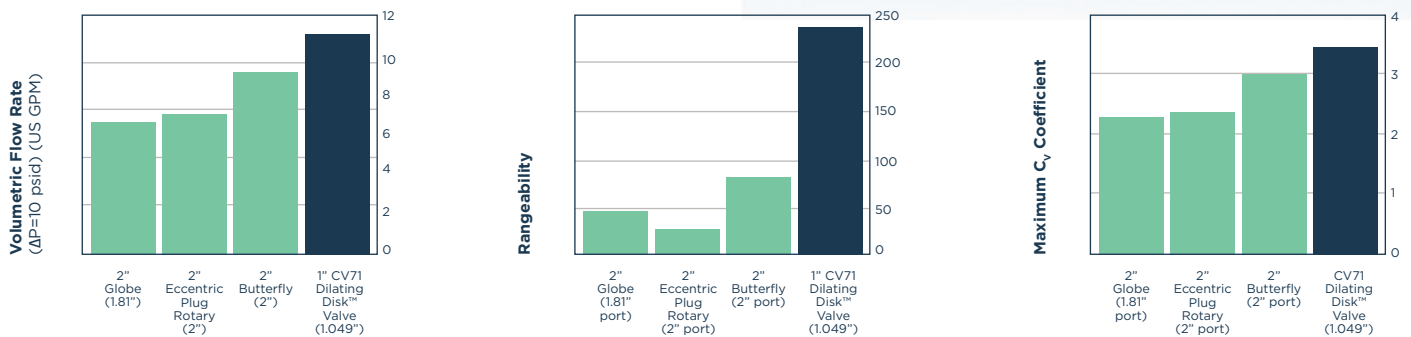
% OPEN	$C_v$	$K_v$	$F_L$	$X_T$
10	0.400	0.346	0.99	0.45
20	1.25	1.08	0.96	0.65
30	3.50	3.03	0.90	0.61
40	6.60	5.71	0.87	0.65
50	13.8	11.9	0.84	0.61
60	27.6	23.8	0.75	0.57
70	45.5	39.4	0.60	0.41
80	61.4	53.1	0.48	0.27
90	69.1	59.7	0.41	0.16
100	71.0	61.4	0.37	0.15



## What results does the Dilating Disk™ Valve deliver?

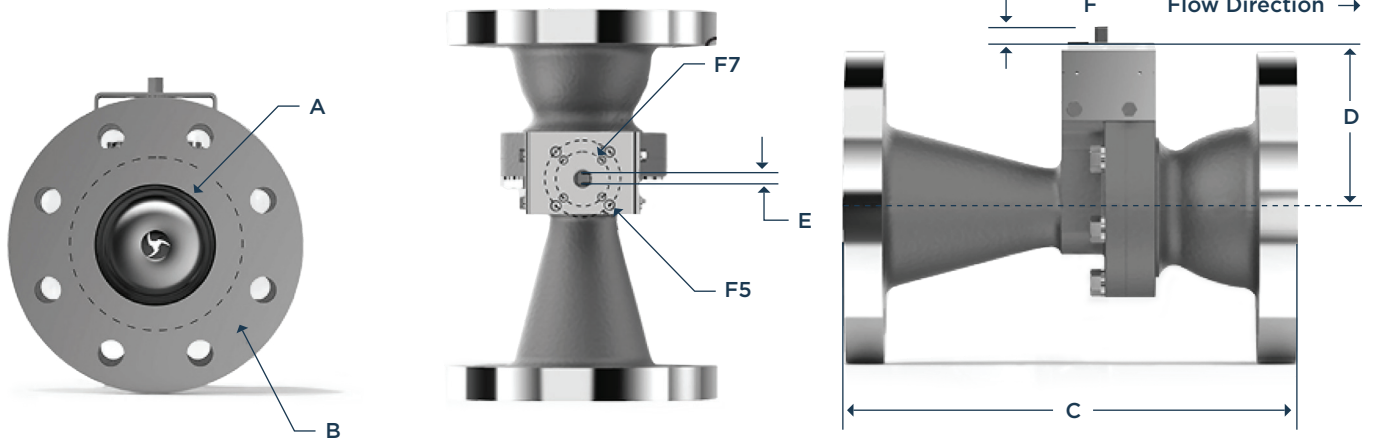


## Market Comparison How does the Dilating Disk™ Valve compare?



# CV71 DILATING DISK™

VALVE PRESSURE CLASS  
150 - 1500



A	B	C	D	E	F	G	H	I
ASME B16.5	PRESSURE CLASS	ISA 75.08		DRIVE SQUARE WIDTH	DRIVE SQUARE HEIGHT	ISO 5211 YOKE PATTERN	WEIGHT [LBS]	MAST [IN-LBS]
[NPS]		[IN]	[IN]	[IN]	[IN]	[IN]		
1 1/2"	CL150	8.75	5.232	0.433	0.584	F5 - 1.970 F7 - 2.760	31	1522
	CL300	9.25					36	
	CL600	9.88					46	
	CL900	13.12					81	
	CL1500							
2"	CL150	10					35	
	CL300	10.5					39	
	CL600	11.25					52	
	CL900	14.75					103	
	CL1500							
3"	CL150	11.75					48	
	CL300	12.5					57	
	CL600	13.25					73	
	CL900	17.38					103	
	CL1500	18.12					149	
4"	CL150	13.88	62					
	CL300	14.5	80					
	CL600	15.5	117					
	CL900	20.12	147					
	CL1500	20.87	205					
6"	CL300	18.62	128					

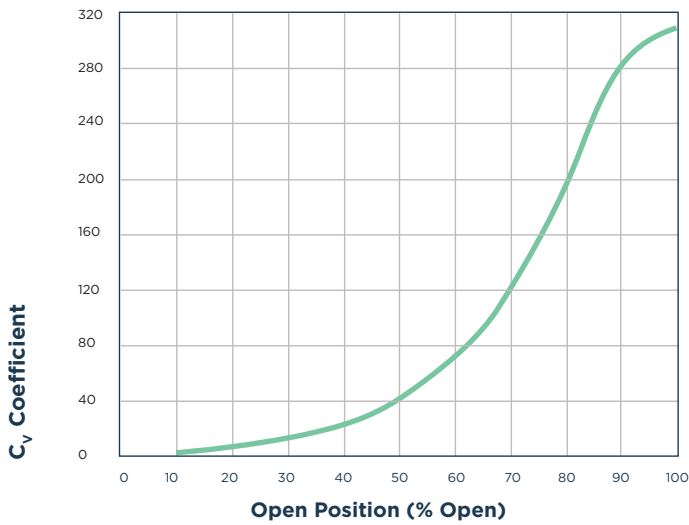
# CV308 DILATING DISK™ VALVE

## Flow Characteristics

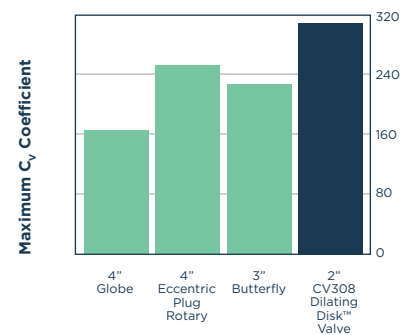
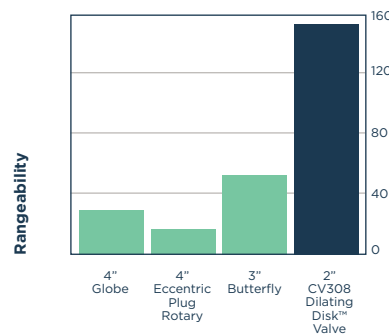
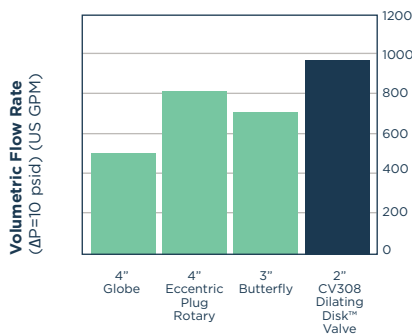
% OPEN	$C_v$	$K_v$	$F_L$	$X_T$
10	2.00	1.7	0.98	0.49
20	6.08	5.2	0.93	0.49
30	12.0	10.4	0.81	0.46
40	22.2	19.2	0.76	0.42
50	41.0	34.5	0.71	0.37
60	70.1	60.6	0.56	0.34
70	118	102	0.36	0.32
80	194	168	0.23	0.31
90	280	242	0.17	0.28
100	308	266	0.14	0.22



## What results does the Dilating Disk™ Valve deliver?



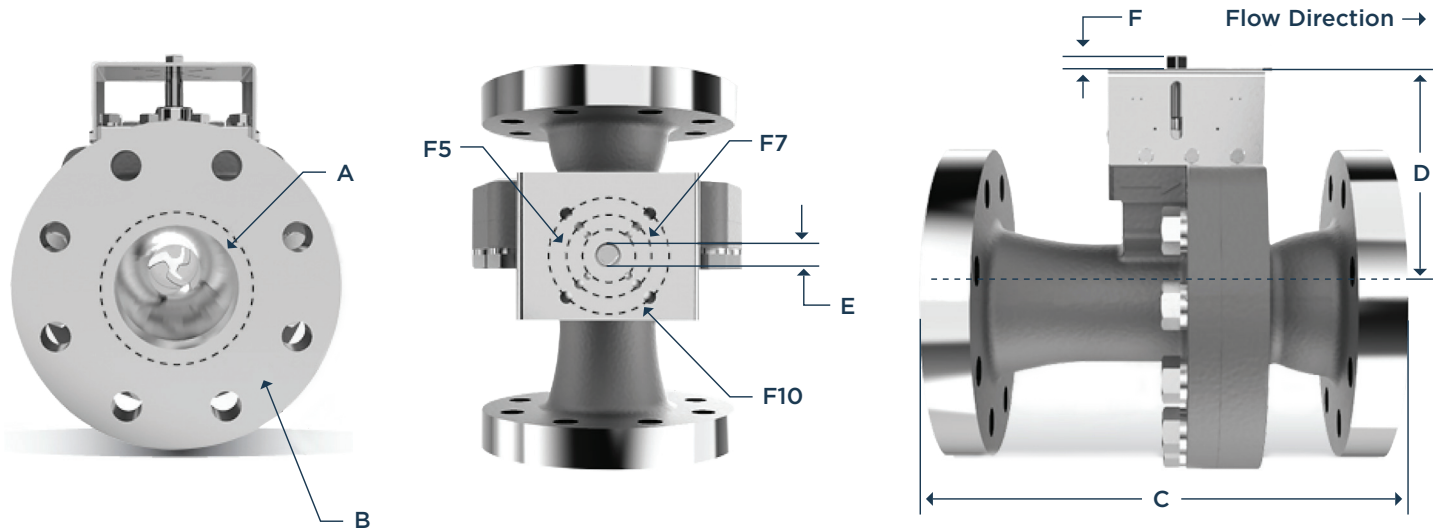
## Market Comparison How does the Dilating Disk™ Valve compare?





# CV308 DILATING DISK™

VALVE PRESSURE CLASS  
150 - 600



A	B	C	D	E	F	G	H	I
ASME B16.5	PRESSURE CLASS	ISA 75.08		DRIVE SQUARE WIDTH	DRIVE SQUARE HEIGHT	ISO 5211 YOKE PATTERN	WEIGHT [LBS]	MAST [IN-LBS]
[NPS]		[IN]	[IN]	[IN]	[IN]	[IN]		
3"	CL150	11.75	8.027	0.574	0.584	F5 - 1.970 F7 - 2.760 F10 - 4.016	87	2566
	CL300	12.5					100	
	CL600	13.25					127	
4"	CL150	13.88					99	
	CL300	14.5					122	
	CL600	15.5					170	
6"	CL150	17.75					131	
	CL300	18.62					172	
	CL600	20					248	

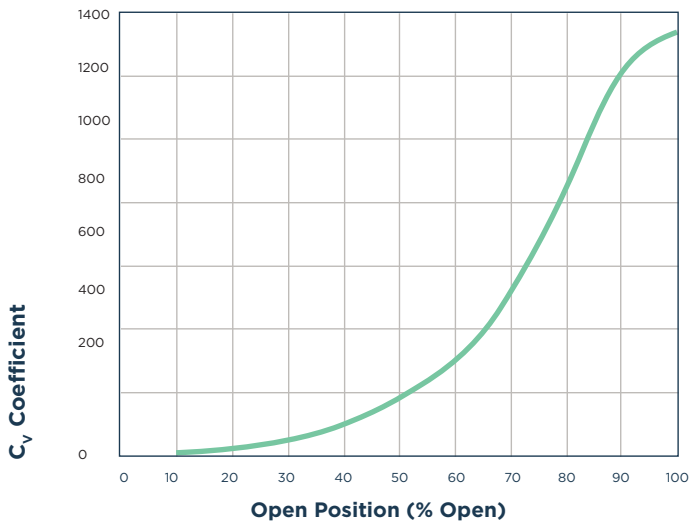
# CVI345 DILATING DISK™ VALVE

## Flow Characteristics

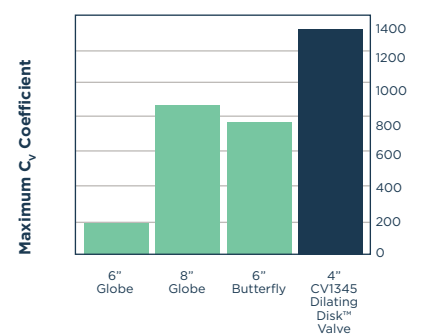
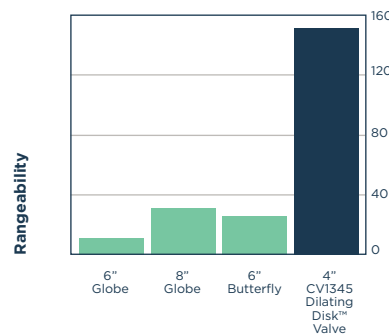
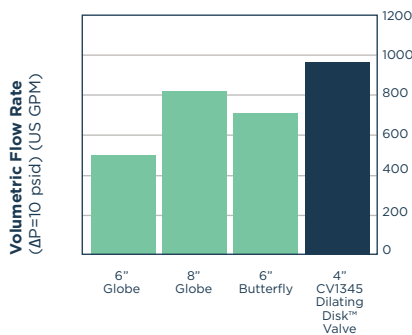
% OPEN	$C_v$	$K_v$	$F_L$	$X_T$
10	9.00	7.79	0.98	0.52
20	26.0	22.5	0.93	0.49
30	53.0	45.8	0.81	0.42
40	97.0	83.9	0.76	0.36
50	181	156	0.71	0.32
60	303	262	0.56	0.28
70	515	445	0.36	0.24
80	844	731	0.23	0.19
90	1220	1060	0.17	0.17
100	1345	1160	0.14	0.14



## What results does the Dilating Disk™ Valve deliver?

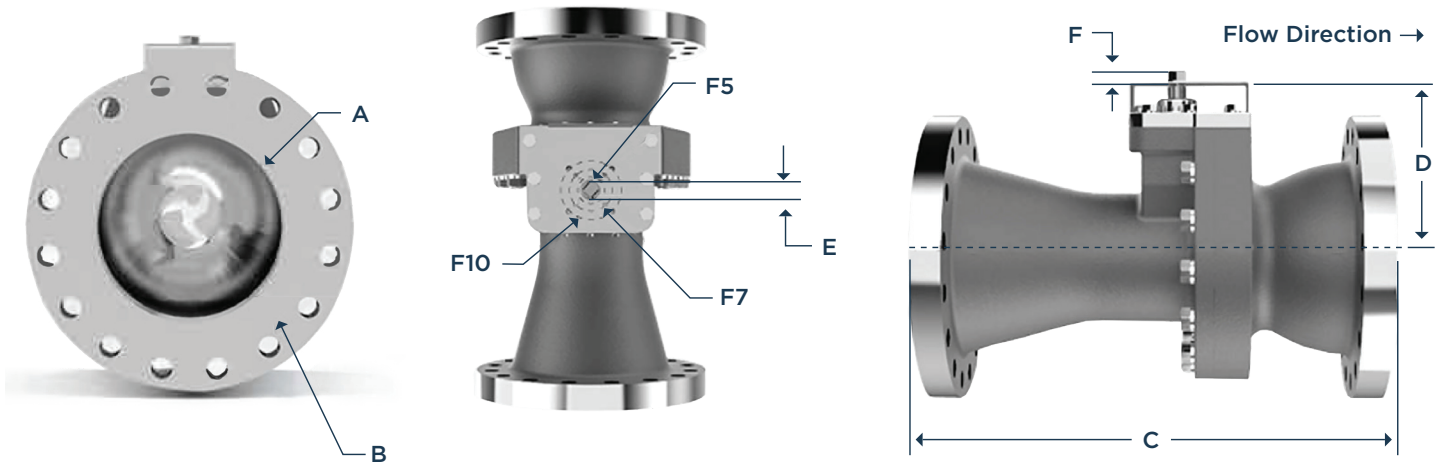


## Market Comparison How does the Dilating Disk™ Valve compare?



# CVI345 DILATING DISK™

VALVE PRESSURE CLASS  
150 - 600



A	B	C	D	E	F	G	H	I
ASME B16.5	PRESSURE CLASS	ISA 75.08		DRIVE SQUARE WIDTH	DRIVE SQUARE HEIGHT	ISO 5211 YOKE PATTERN	WEIGHT [LBS]	MAST [IN-LBS]
[NPS]		[IN]	[IN]	[IN]	[IN]	[IN]		
6"	CL150	17.75	10.827	0.866	0.700	F5 - 1.970 F7 - 2.760 F10 - 4.016	312	8641
	CL600	18.62					361	
	CL300	20					443	
8"	CL150	21.38					370	
	CL300	22.38					441	
	CL600	24					535	
10"	CL150	26.5					458	
	CL300	27.88					551	
	CL600	32.35					717	
12"	CL150	29	542					
	CL300	30.5	665					
	CL600	32.25	819					



J A MOODY

MARINE SALES & SERVICE



World's Most Compact & Efficient Control Valve