

NU-TORQUE

Designed to meet the requirements of marine environment

Introduction

The Nu-Torque E05 Series actuators are a reduced size unit designed to meet the requirements of the marine environment. Anodized and epoxy painted cast aluminum housings, bronze and steel gears, shafts and hardware resist marine corrosion and are also the ideal choice for applications requiring low magnetic components. Motors are built to IEEE-45, MIL-M-17059 or MIL-M-17060 to provide extended life under the most severe shipboard conditions.

The E05 Series actuators are more compact and durable reducing the stress on smaller valves where Navy High Shock and Vibration qualification is required.

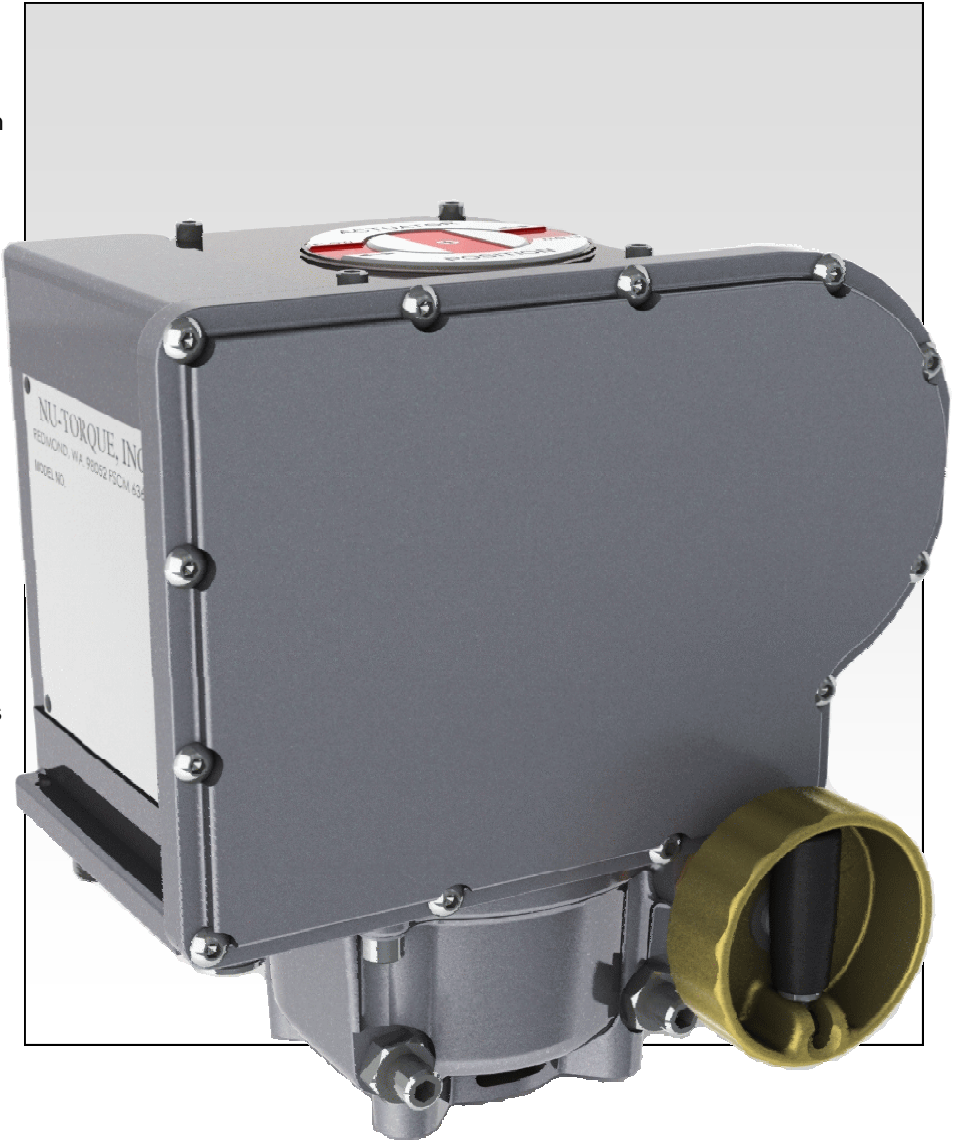
The E05 Series actuator can be supplied for Quarter-Turn and Multi-Turn applications.

Features

- Up to 4 position limit devices, individually adjustable
- OPEN and CLOSE torque limit devices
- Differential drive, low effort handwheel
- Mechanical position indicator located near the handwheel and on top
- Mechanical stops for quarter-turn applications, adjustable from 85 to 95 degrees

Optional Feature

- Integral reversing controller with valve logic
- Thermal sensors and monitor module
- Local controls (pushbuttons and lights—local/remote switch)
- Right angle gearbox for limited overhead locations



Actuator Specifications

Housing: Cast Aluminum (UPPER)
Cast Sil bronze (LOWER)
All Cast Sil Bronze (OPT)

Hardware: Corrosion resistant

Handwheel: 3" or 5" with spinner

Magnetic permeability: Less than 2.0

Switches: 250 VAC, 5 AMP

Motor voltage: 115 VAC, single phase,
60 Hz
440 VAC, 3 phase,
60 Hz

Certifications

Shock test: MIL-S-901D LATER
Vibration test: MIL-STD-167-1 LATER

Fire Safe: API-607

Motor: IEEE-45 (STD)
MIL-M-17059 (OPT)
MIL-M-17060 (OPT)

Model No.: E05Q

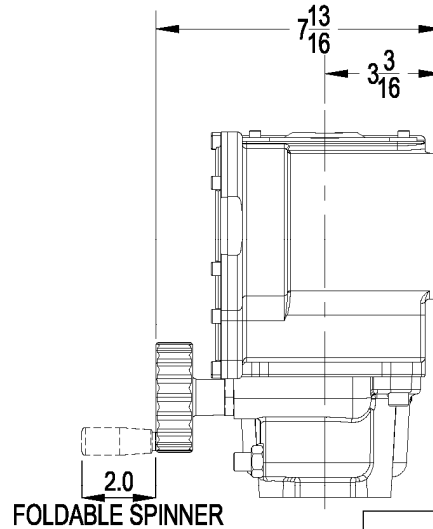
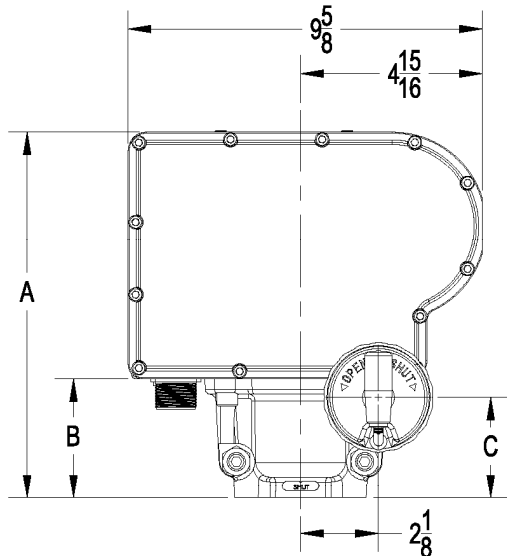
Output torque: 100 - 9,000 in. lbs.
Output speed 4 to 30 seconds
90 degrees

Weight: 21-25 lbs. AL
41-47 lbs. BRNZ

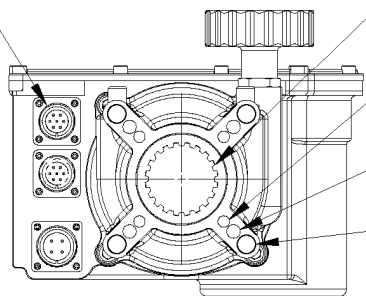
Model No.: E05M

Output torque: 50 - 500 in. lbs.
Output speed 12 to 36 rpm

Weight: 21-25 lbs. AL
41-47 lbs. BRNZ



SUBMERSIBLE CONNECTORS
FOR POWER & CONTROL/COMM.



OUTPUT SHAFT INTERNAL SPLINE
1.90 PD X 1.5 DEEP

4X 3/8-16 UNC-1B X .63 DEEP
ON A Ø3.25 B.C.

4X 7/16-14 UNC-1B X .75 DEEP
ON A Ø4.01 B.C.

4X 1/2-13 UNC-1B X .75 DEEP
ON A Ø5.00 B.C.

OUTPUT RATIO	DIMENSION			TIME SEC	TORQUE	
	A	B	C		1/10 HP	1/20 HP
5:1	8.9	2.2	1.7	4	650	1300
15:1	10.0	3.3	2.8	11	1500	2500
25:1	10.0	3.3	2.8	18	2500	5000
45:1	11.0	4.3	3.7	30	5000	9000

Phone: 425-885-1920

www.nu-torque.com

Curtiss-Wright Flow Control Company (CWFC) provides the information herein in good faith but makes no representation as to its comprehensiveness or accuracy. This data sheet is intended only as a guide to CWFC products and services. Individuals using this data sheet must exercise their independent judgment in evaluating product selection and determining product appropriateness for their particular purpose and system requirements. CWFC MAKES NO REPRESENTATIONS OR WARRANTIES, EITHER EXPRESS OR IMPLIED, INCLUDING WITHOUT LIMITATION ANY WARRANTIES OF MERCHANTABILITY OR FITNESS FOR A PARTICULAR PURPOSE WITH RESPECT TO THE INFORMATION SET FORTH HEREIN OR THE PRODUCT(S) TO WHICH THE INFORMATION REFERS. ACCORDINGLY, CWFC WILL NOT BE RESPONSIBLE FOR DAMAGES (OF ANY KIND OR NATURE, INCLUDING INCIDENTAL, INDIRECT, OR CONSEQUENTIAL DAMAGES) RESULTING FROM THE USE OF OR RELIANCE UPON THIS INFOR-